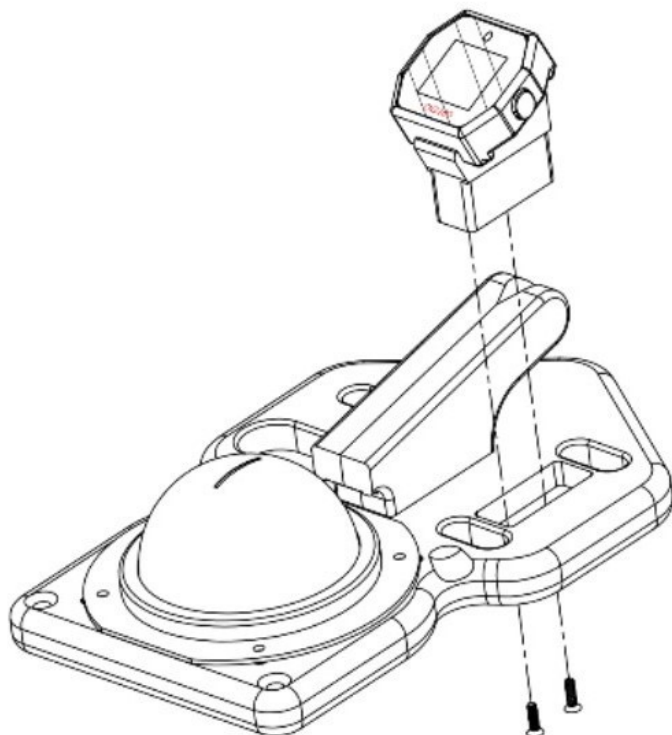


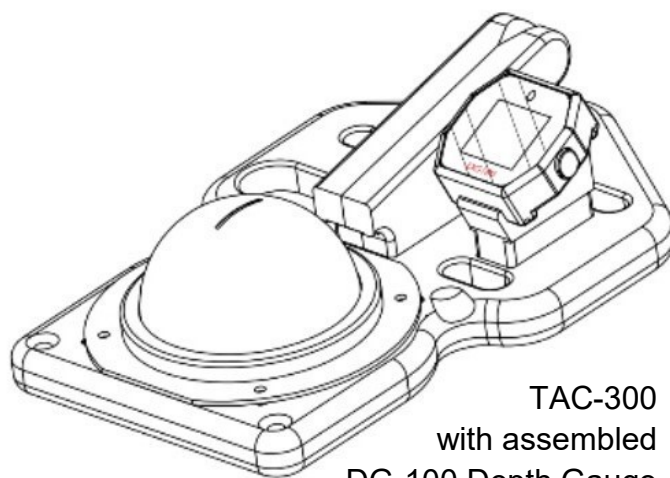


# TAC-300 Diver Navigation Board Stand Off Instructions

Installing a DG-100 Stand Off to a TAC-300 Diver Navigation Board is as easy as 1,2,3.



DG-100 Depth Gauge  
with Stand Off Base



TAC-300  
with assembled  
DG-100 Depth Gauge

**1)** Line up the screw holes on the bottom of the DG-100 stand to the screw holes on the right side of the TAC-300.

**2)** Insert the DG-100 with Stand Off Base into the opening on the right side of the TAC-300, it will fit snugly.

**3)** Fasten the DG-100 to the TAC-300 with the brass screws that are included with the DG-100. Do not over tighten the screws.

